

Conductive Plastic Angle Sensor

# CP-2FBJ Series



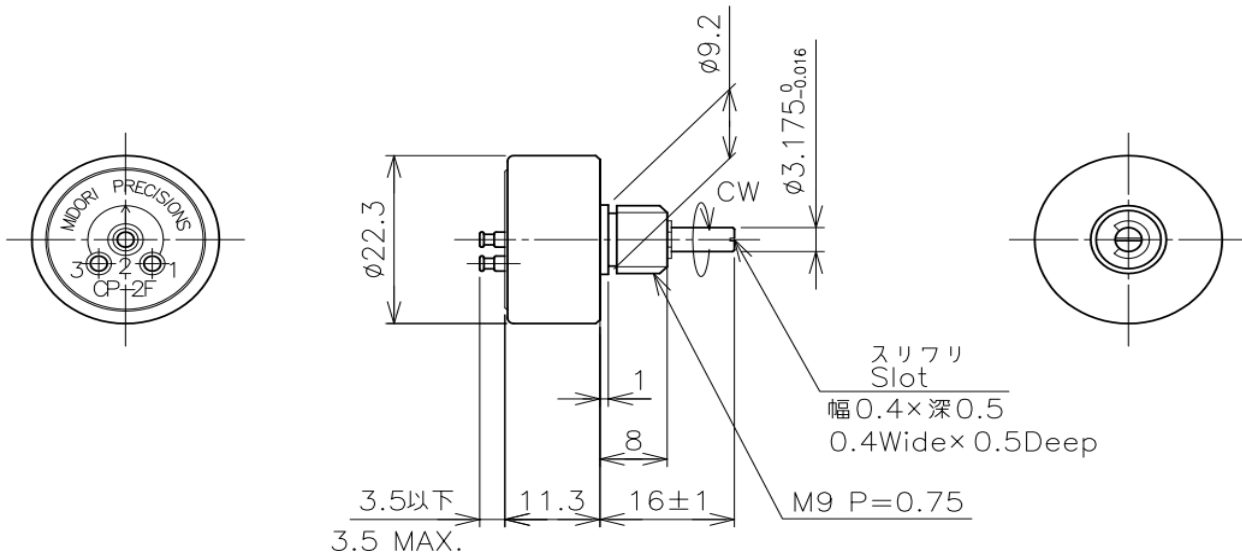
- Conductive Plastic Angle Sensor
- Effective Electrical Travel : 340°
- Independent Linearity : ±1%
- Bushing Mount

- CP-2FB(b)J : Ball Bearing
- CP-2FB(m)J : Metal Sleeve Bearing

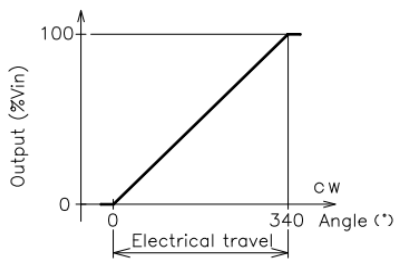
**【Material】**

- Housing : Aluminum
- Shaft : Stainless Steel
- Bearing : CP-2FB(b)J …Ball Bearing : Stainless Steel  
CP-2FB(m)J …Metal Sleeve Bearing : Copper Alloy

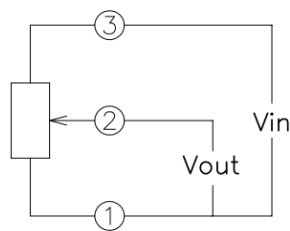
**Dimension [mm]**



**Output Characteristics**

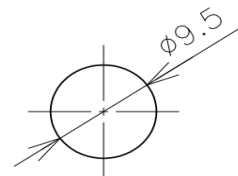


**Schematic**



• ①, ②, ③: Terminal No.

**Mounting**



<b>【Model No.】</b>	<b>CP-2FB(b)J</b> <Ball Bearing>	<b>CP-2FB(m)J</b> <Metal Sleeve Bearing>
--------------------	-------------------------------------	---

<b>【Electrical Specifications】</b>		
Effective Electrical Travel	340 +2, -3	°
Total Resistance	1, 2, 5, 10	kΩ
Total Resistance Tolerance	±20	%
Independent Linearity	±1	%
Rated Dissipation	0.5/50°C	W
Output Smoothness	MAX. 0.1	%
Insulation Resistance	MIN. 100/DC1000V	MΩ
Dielectric Strength	AC1000/1 Minute	V
Temperature Coefficient of Resistance	±400	ppm/K

<b>【Mechanical Specifications】</b>			
Total Mechanical Travel	360 Endless		°
Torque	MAX. 0.5	MAX. 2	mN·m
Thrust Load Tolerance	2		N
Radial Load Tolerance	5		N
Mass	Approx. 20		g

<b>【Environmental Specifications】</b>		
Life Cycles	10 Million	Cycle
Category Temperature Range	-40 ~ +100	°C
Storage Temperature Range	-40 ~ +100	°C
Vibration	150m/s <sup>2</sup> 2000Hz 3axis 2 hours each	
Shock	500m/s <sup>2</sup> 11ms 6 directions 3 times	

#### ■ Accessories

M9 Nut  
Toothed Lock Washer (Internal) 1pcs each

#### ■ Handling Instruction

- To avoid burnout of resistive element, do not supply more than 1mA current to terminal 2.
- Miswiring might cause burnout of resistive element.
- To reduce sliding noise, add load resistance should be more than 100times and less than 1000times of total resistance.
- Slight continuous vibration such as dither might cause short lifetime of the sensor.