

Conductive Plastic Angle Sensor

CP-2FKJ Series



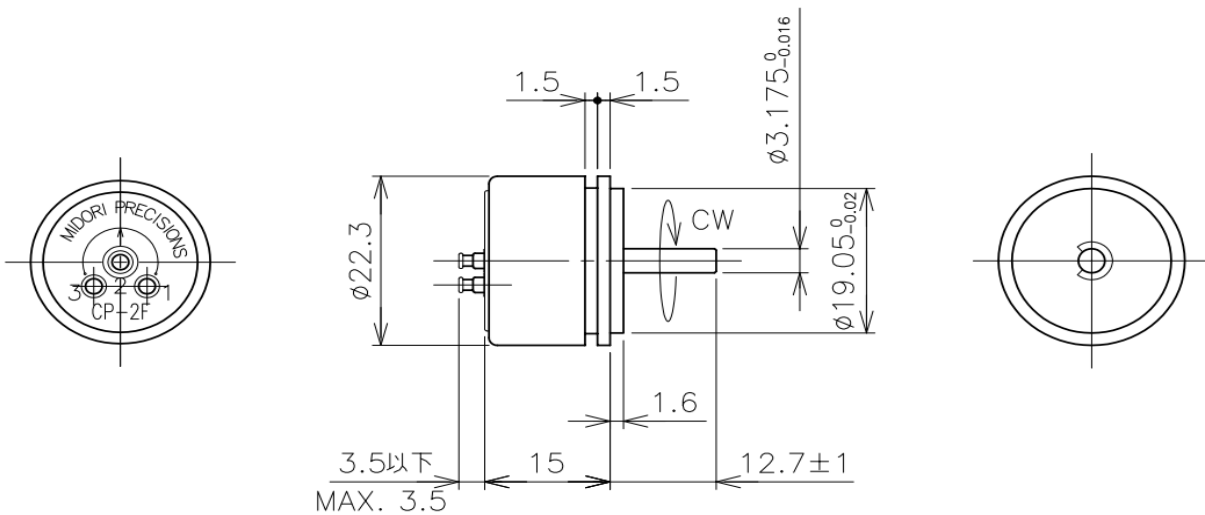
- Conductive Plastic Angle Sensor
- Effective Electrical Travel : 340°
- Independent Linearity : ±1%
- Servo Mount

- CP-2FK**(b)**J : **Ball Bearing**
- CP-2FK**(m)**J : **Metal Sleeve Bearing**

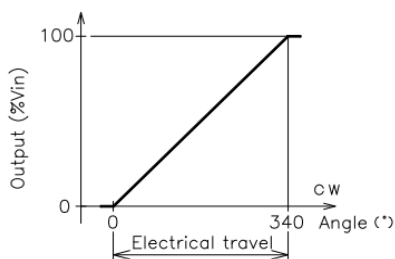
【Material】

- Housing : Aluminum
- Shaft : Stainless Steel
- Bearing : CP-2FK(b)J ...Ball Bearing : Stainless Steel
CP-2FK(m)J ...Metal Sleeve Bearing : Copper Alloy

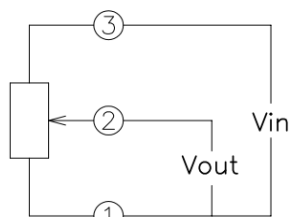
■ Dimension [mm]



■ Output Characteristics

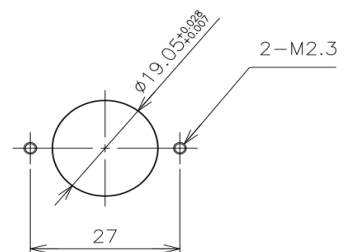


■ Schematic



• ①, ②, ③ : Terminal No.

■ Mounting



【Model No.】	CP-2FK(b)J <Ball Bearing>	CP-2FK(m)J <Metal Sleeve Bearing>
--------------------	-------------------------------------	---

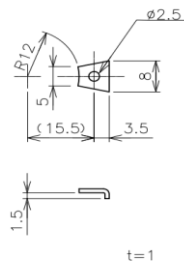
【Electrical Specifications】		
Effective Electrical Travel	340 +2, -3	°
Total Resistance	1, 2, 5, 10	kΩ
Total Resistance Tolerance	±20	%
Independent Linearity	±1	%
Rated Dissipation	0.5/50°C	W
Output Smoothness	MAX. 0.1	%
Insulation Resistance	MIN. 100/DC1000V	MΩ
Dielectric Strength	AC1000/1 Minute	V
Temperature Coefficient of Resistance	±400	ppm/K

【Mechanical Specifications】			
Total Mechanical Travel	360 Endless		°
Torque	MAX. 0.5	MAX. 2	mN·m
Thrust Load Tolerance	2		N
Radial Load Tolerance	5		N
Mass	Approx. 20		g

【Environmental Specifications】		
Life Cycles	10 Million	Cycle
Category Temperature Range	-40 ~ +100	°C
Storage Temperature Range	-40 ~ +100	°C
Vibration	150m/s ² 2000Hz 3axis 2 hours each	
Shock	500m/s ² 11ms 6 directions 3 times	

■ Accessories

Mounting Cleats : 2pc



■ Handling Instruction

- To avoid burnout of resistive element, do not supply more than 1mA current to terminal 2.
- Miswiring might cause burnout of resistive element.
- To reduce sliding noise, add load resistance should be more than 100times and less than 1000times of total resistance.
- Slight continuous vibration such as dither might cause short lifetime of the sensor.