

Contactless Hall-IC Angle Sensor

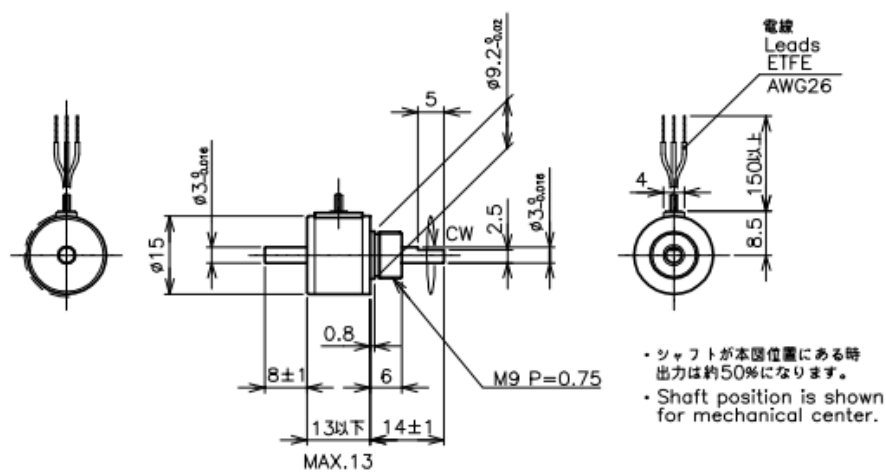
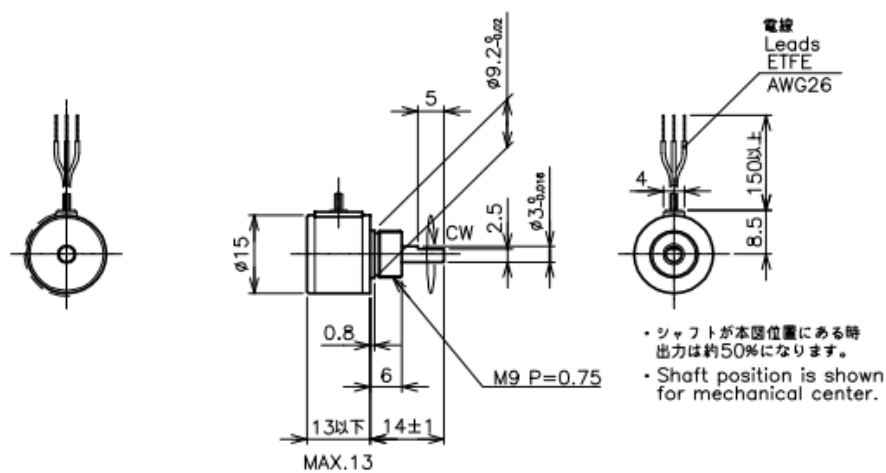
QP-2H Series

- Contactless Hall-IC Angle Sensor
- Effective Electrical Angle : $\pm 45^\circ$
- Independent Linearity : $\pm 1.5\%$
- Bushing Mount

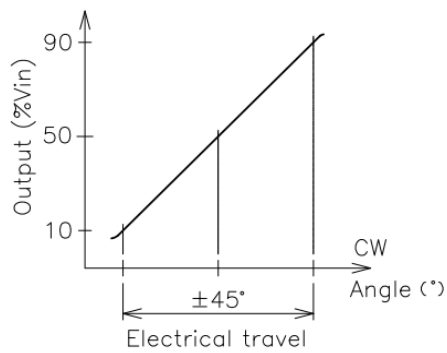
- QP-2H : Double Shaft
- QP-2HC : Single Shaft

【Material】

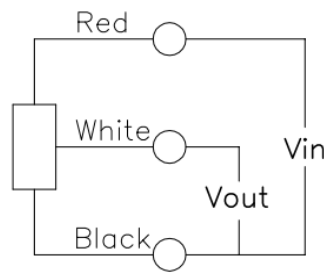
- Housing : Aluminum
- Shaft : Stainless Steel
- Cover : Stainless Steel
- Ball Bearing : Stainless Steel

Dimension [mm]QP-2H (Double Shaft)QP-2HC (Single Shaft)

Output Characteristics

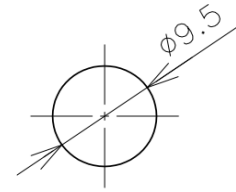


Schematic



• Red, White, Black indicate wire colors.

Mounting



Model No.]

QP-2H

QP-2HC

<Double Shaft>

<Single Shaft>

Electrical Specifications

Effective Electrical Angle	$\pm 45(90^\circ)$	°
Output Range	10~90	%Vin
Independent Linearity	$\pm 1.5(FS=90^\circ)$	%FS
Input Voltage	DC5 \pm 0.5	V
Load Resistance	MIN. 10	k Ω
Supply Current	MAX. 10	mA
Insulation Resistance	MIN. 100/DC50V	M Ω
Temp. Characteristics	At Center Position : $\pm 1.5^\circ$ At $\pm 45^\circ$ Position : $\pm 2.5^\circ$	

Mechanical Specifications

Total Mechanical Travel	360 Endless	°
Running Torque	MAX. 0.05	mN·m
Thrust Load Tolerance	1	N
Radial Load Tolerance	3	N
Mass	Approx. 10	g

Environmental Specifications

Category Temperature Range	-30~+100	°C
Storage Temperature Range	-30~+100	°C

Accessories

M9 nut
Inner tooth lock washer One piece each

Handling Instruction

- Do not use Hall-IC sensor as a variable resistor.
- This product may be influenced from external magnetic field.
- Use this sensor in the place where is protected from ESD.