

Conductive Plastic Angle Sensor

CPP-60 Series

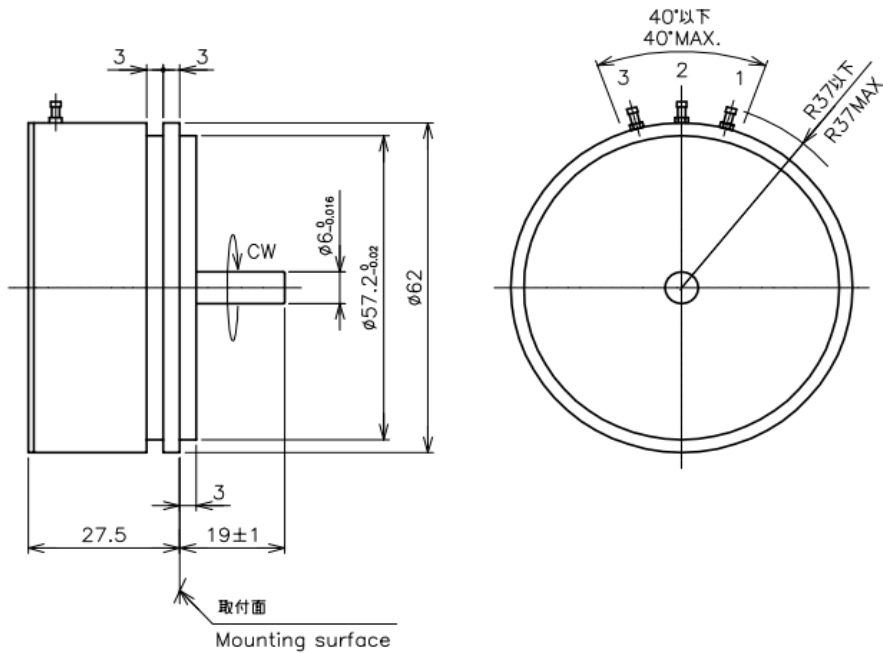


- Conductive Plastic Angle Sensor
- Effective Electrical Travel : 355°
- Independent Linearity : ±0.05% (Special Linearity: ±0.03%)
- Servo Mount

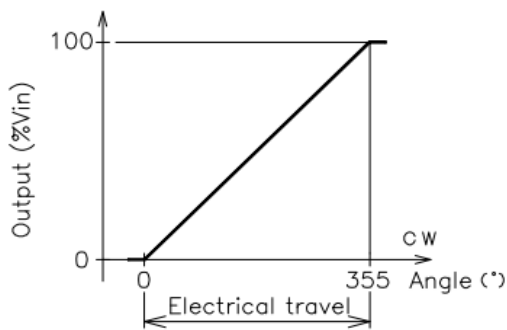
【Material】

- Housing : Aluminum
- Shaft : Stainless Steel
- Bearing : Stainless steel

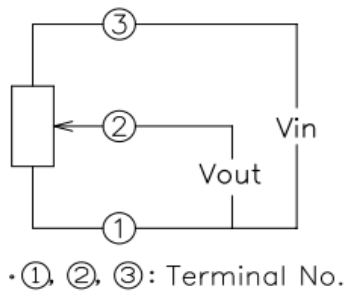
Dimension [mm]



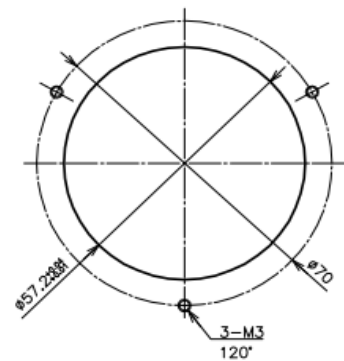
Output Characteristics



Schematic



Mounting



Servo Mount

【Model No.】	CPP-60
--------------------	--------

【Electrical Specifications】

Effective Electrical Travel	355 +1, -2	°
Total Resistance	0.5, 1, 2, 5, 10, 20	kΩ
Total Resistance Tolerance	±15	%
Independent Linearity	±0.05 (Special Linearity ±0.03%)	%
Rated Dissipation	3/70°C	W
Output Smoothness	MAX. 0.1	%
Insulation Resistance	MIN. 100/DC1000V	MΩ
Dielectric Strength	AC1000/1 Minute	V
Temperature Coefficient of Resistance	±400	ppm/K

【Mechanical Specifications】

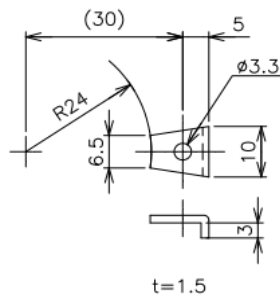
Total Mechanical Travel	360 Endless	°
Torque	MAX. 25	mN·m
Thrust Load Tolerance	2	N
Radial Load Tolerance	4	N
Mass	Approx. 170	g

【Environmental Specifications】

Life Cycles	10 Million	Cycle
Category Temperature Range	-40 - +120	°C
Storage Temperature Range	-40 - +120	°C
Vibration	150m/s ² 2000Hz 3 axis 2 hours each	
Shock	500m/s ² 11ms 6 directions 3 times	

■ Accessories

Mounting Cleats : 3 pieces

**■ Handling Instruction**

- To avoid burnout of resistive element, do not supply more than 1mA current to terminal 2.
- Miswiring might cause burnout of resistive element.
- To reduce sliding noise, add load resistance should be more than 100times and less than 1000times of total resistance.
- Slight continuous vibration such as dither might cause short lifetime of the sensor.