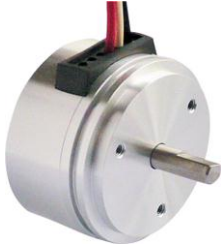


Contactless Hall-IC Angle Sensor

CP-45H-A Series

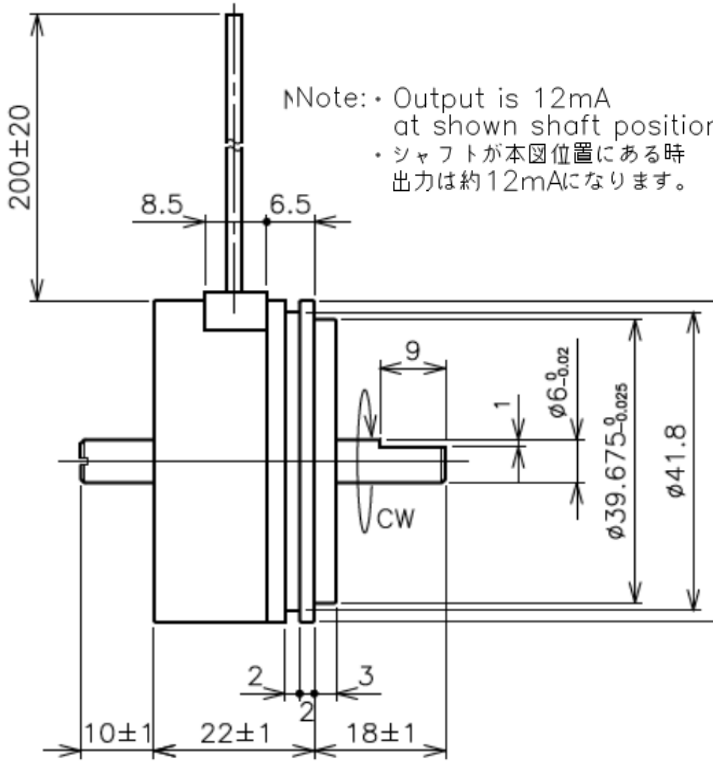


- Contactless Hall-IC Angle Sensor
- Effective Electrical Travel : 360°
- Absolute Linearity : ±1%FS
- Input Voltage : DC24±4
- Output Range : DC4~20mA

[OPTIONS]

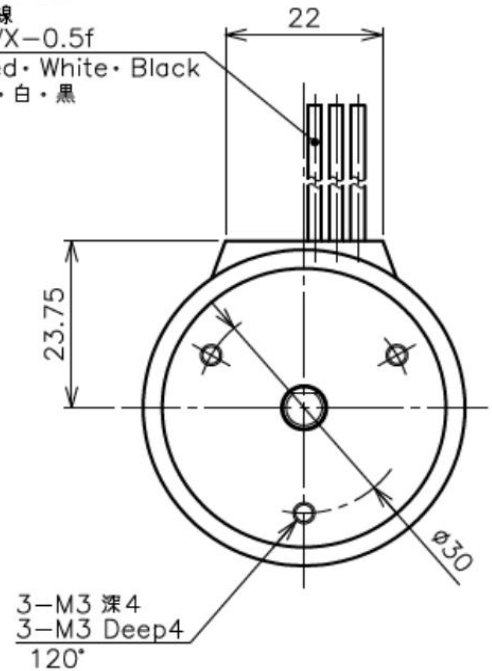
- Available Effective Electrical Travel Range : 90°~360°
- Dual Output
- Inverse Output

Dimension [mm]

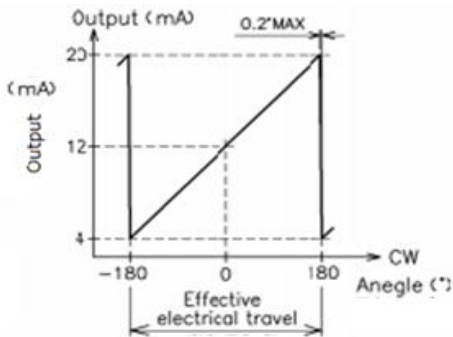


Harness

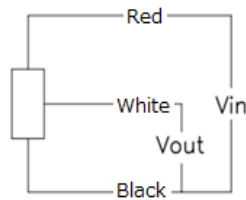
電線 AVX-0.5f
 Red・White・Black
 赤・白・黒



Output Characteristics

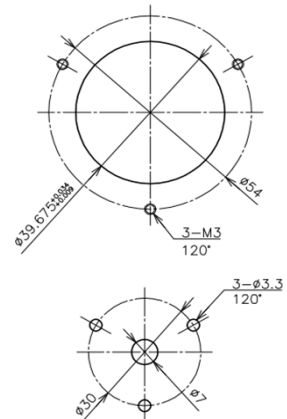


Schematic



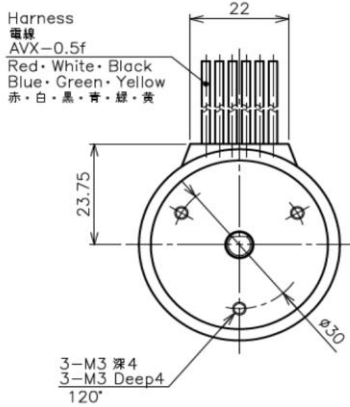
· Red, White, Black: Harness Colors

Mounting

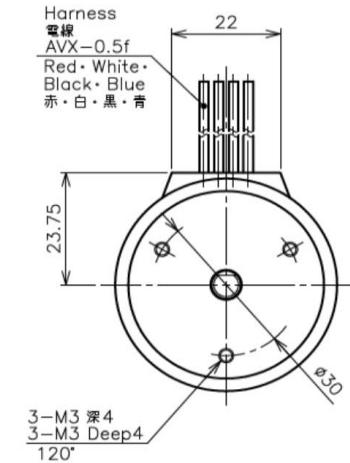


Dimension

Dual Output, 6wires

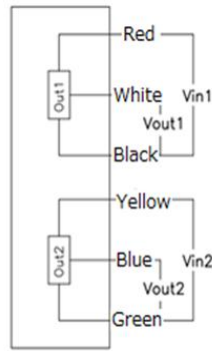


Dual Output, 4wires



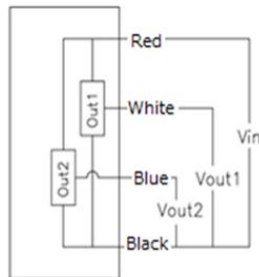
Schematic

Dual Output, 6wires



Each color indicate harness colors

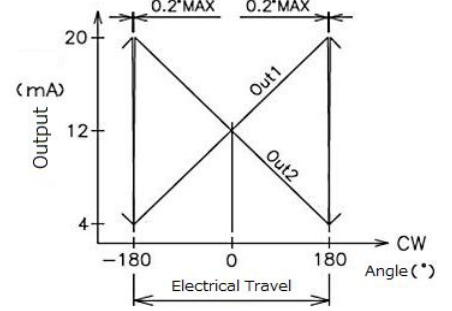
Dual Output, 4wires



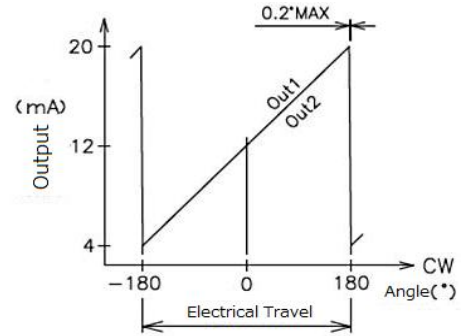
Each color indicate harness colors

Mounting

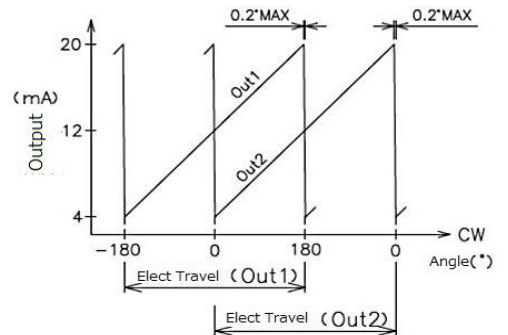
CP-45HC-A Cross Output



CP-45HP-A Parallel Output



CP-45HP-A (180°Phase Output)



CP-45H-10V Model Number Designation

CP-45H S P - Axx

- None : Standard
- 1 : Inverse Output
- xx : Custom Spec.
- None : Single Output
- C : Dual Output (Cross Output)
- P : Dual Output (Parallel Output)
- S : IP54
- None : IP40

【Electrical Specifications】

Model No.	CP-45H-A	CP-45HS-A	CP-45HC-A	CP-45SC-A	CP-45HP-A	CP-45HSP-A	
Effective Electrical Travel	360						°
Output Range	4~20						mA
Absolute Linearity	±1.0						%FS
Input Voltage	DC24±4						V
Load Resistance	600						Ω
Supply Current	13						mA/1ch
Insulation Resistance	100 MIN /DC50						MΩ
Output Resolution	0.034 (Shaft Rotational Speed 23 rpm)						%FS
Response Time	0.9						ms
Hysteresis	±0.2 MAX.						%FS
Temp. Characteristics -30~85°C (Ref.Temp.25°C)	±5.4						°
Dual Output Difference	---	100±1.5 (Sum 1,2)			±1.5		%Vin

【Mechanical Specifications】

Model No.	CP-45H-A	CP-45HS-A	CP-45HC-A	CP-45SC-A	CP-45HP-A	CP-45HSP-A	
Total Mechanical Travel	360 Endless						°
Torque	1.8	30	1.8	30	1.8	30	mN·m
Thrust Load Tolerance	2						N
Radial Load Tolerance	6						N
Mass	Approx. 100						g

【Environmental Specifications】

Model No.	CP-45H-A	CP-45HS-A	CP-45HC-A	CP-45SC-A	CP-45HP-A	CP-45HSP-A	
Life Cycles	10M (Room Temp. , No Load, CW/ CCW)						Cycle
Category Temp. Range	-40~+100 (No condensation)						°C
Storage Temp. Range	-40~+100 (No condensation)						°C
Vibration	5~500Hz(6min) 200m/s ² (20G) 3directions 4hours each						
Shock	1000m/s ² (100G) 6directions 3times						
E M S	100V/m 1M~1GHz (ISO 11452)						
ESD (Case to Each Terminal)	±15MAX. (IEC 61000-4-2)						kV
ESD (Between Each Terminal)	±15MAX. (IEC 61000-4-2)						kV
IP Level	IP40	IP54	IP40	IP54	IP40	IP54	

■ Handling Instruction

- Do not use Hall-IC sensor as a variable resistor.
- This products may be influenced from external magnetic field.
- Use this sensor in the place where is protected from ESD.