

Multi-turn Dial

DM-15 Series

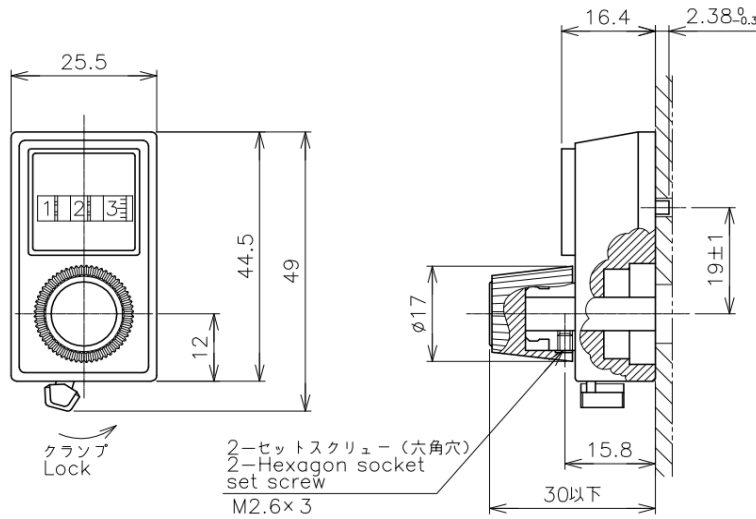


- Multi-turn digital count display dial
- Use with HP-16 10-turn wire would potentiometer

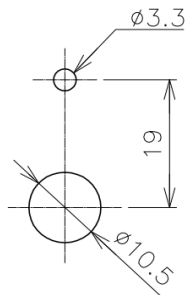
【Material】

●Housing : Zinc, Aluminum, Copper Alloy, POM

Dimension [mm]



Mounting



【Specifications】

Number Of Turns	10	turns
Minor Scale Division	999	
Mass	Approx. 40	g
Applicable Potentiometer	HP-16 (10-turn wire would potentiometer)	
Applicable Panel Thickness	MAX. 6	mm

Handling Instruction

- Please turn the knob by hand.