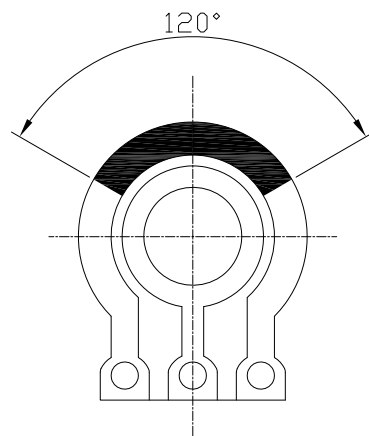
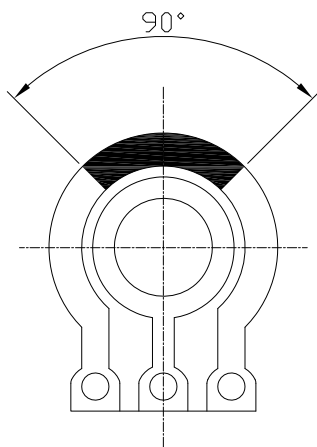


Mounting hole detail
Viewed from mounting side



		Tolerances Unless Otherwise Specified		TOMY INDUSTRIAL CO., LIMITED DRAWING TITLE RV092 SERIES DRAWING NAME RV092NH-20F DRAWING NO. RV092-01-02
SCALE	UNIT	L<10	±0.3	
	mm	10<L<100	±0.5	
Revision Notes		100<L	±0.8	
		Angular Dimension	±5°	
	DESIGNED	DRAWN	CHECKED	APPROVED
		EDDIE WONG		