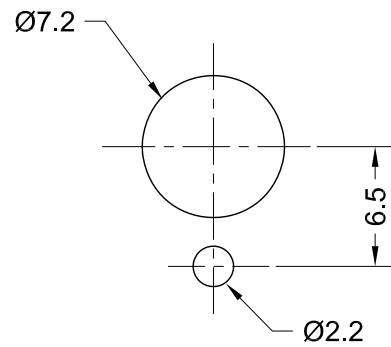


Full C.C.W. Position

□ □ □
 Shaft Type = KQ , F , R Shaft

□ □ □ □ □
 L = 15 , 20 , 25 , 30 , 35 mm

□ □ □
 T / F = 6 , 7 , 12 mm



Mounting hole detail

KQ Shaft

L	15	20	25	30	35
T	6	7	12	12	12

F Shaft

L	15	20	25	30	35
F	6	7	12	12	12

R Shaft

L	15	20	25	30	35

		Tolerances Unless Otherwise Specified		TOMY INDUSTRIAL CO., LIMITED	
SCALE	UNIT	L ≤ 10	±0.3		
	mm	10 < L < 100	±0.5	DRAWING TITLE	
Revision Notes		100 ≤ L	±0.8	RV123 SERIES	
		Angular Dimension	±5°	DRAWING NAME	
		DESIGNED	DRAWN	CHECKED	APPROVED
		EDDIE WONG			
					DRAWING NO.
					RV-123-01-01